

FMC

Fresh'n SQUEEZE[®]

Produce Plus Juicer **FMC**



Producing high quality and high yielding juices using the least amount of labor.



Produce **DATE**
RECOMMENDED BY THE U.S. DEPARTMENT OF AGRICULTURE

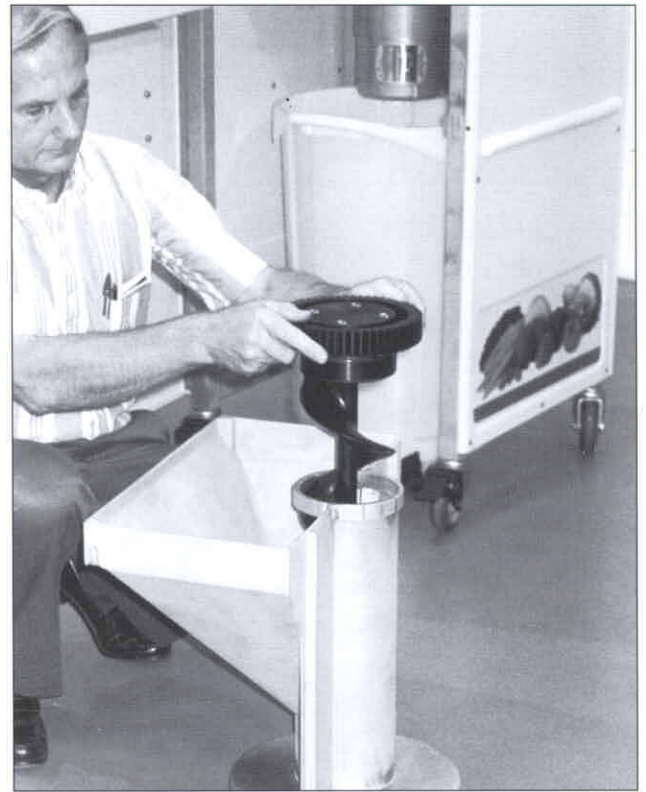


Produce Plus Juicer Operation

The Produce Plus Juicer operates by grating, then centrifugally separating the juice from the pulp. This unique process extracts every available amount of juice from the produce. The unique design makes the juicer safe to operate and easy to use.



The hopper lifts out for easy cleaning and re-assembly, 1 of 5 removable parts.



The automated feed screw uniformly delivers fruit onto the grater for smoother operation and consistent juicing.



The fruit moves over the grater before the juice passes thru the screen and into the juice collector.



A plastic liner can be inserted into the trash receptacle.

Fresh Squeezed Vegetable & Fruit Juices

with

FMC Fresh'n Squeeze® Juicers "Simply The Best"

For those making the fresh juice or those consuming the fresh juice anywhere in the world, there are certain requirements that must be met.

	<u>Those Operating the Juicer Want</u>	<u>Consumers of Fresh Juice Expect</u>
<u>Juice</u>	Good quality, good taste Sell juices to make a profit	Fresh taste, good drinking quality (mouth feel) Purchase juices at a good value
<u>Equipment</u>	Reliable and safe equipment and easy to use with minimum operating labor. Operate a profitable fresh juice business	Clean appearance, fun to watch and sanitary.
<u>Juicing Process</u>	Produces acceptable juice yields at reasonable speed.	Eliminates unwanted seeds, peel, and excess fiber
<u>Versatility</u>	Processes wide range of fruits and vegetables with minimal preparation of produce.	Delivers consistent juice quality from a wide variety of fruits and vegetables.

FMC Fresh'n Squeeze® Produce Plus Juicer

FEATURES

Batch processing using whole fruits	Saves time on labor, optimizes quality and yield
Industrial Design.	Minimum down time and repair costs
Sanitary Design	Easy to clean; longer shelf life of juice
Completely Enclosed	No exposed parts provides safety for operators
Versatility	Processes and blends most vegetables, fruits and tropicals

BENEFITS

Processing Most Produce Varieties Like:
Fruits: Apples, Grapes, Pears, Strawberries
Vegetables: Carrots, Celery, Tomato, Beets
Tropicals: Pineapples, Mangos, Guava, Kiwi

Popular juice blends processed with the Produce Plus Juicer are:
Apple-Strawberry; Carrot Pineapple;
Apple-Pineapple; Apple-Pear; Carrot-Apple

By adding juices processed by the Fresh'n Squeeze® Multi-Fruit Juicer, the following blends are also popular:
Orange-Apple; Orange-Pineapple;
Orange-Carrot



FMC Fresh'n Squeeze® Produce Plus Juicer

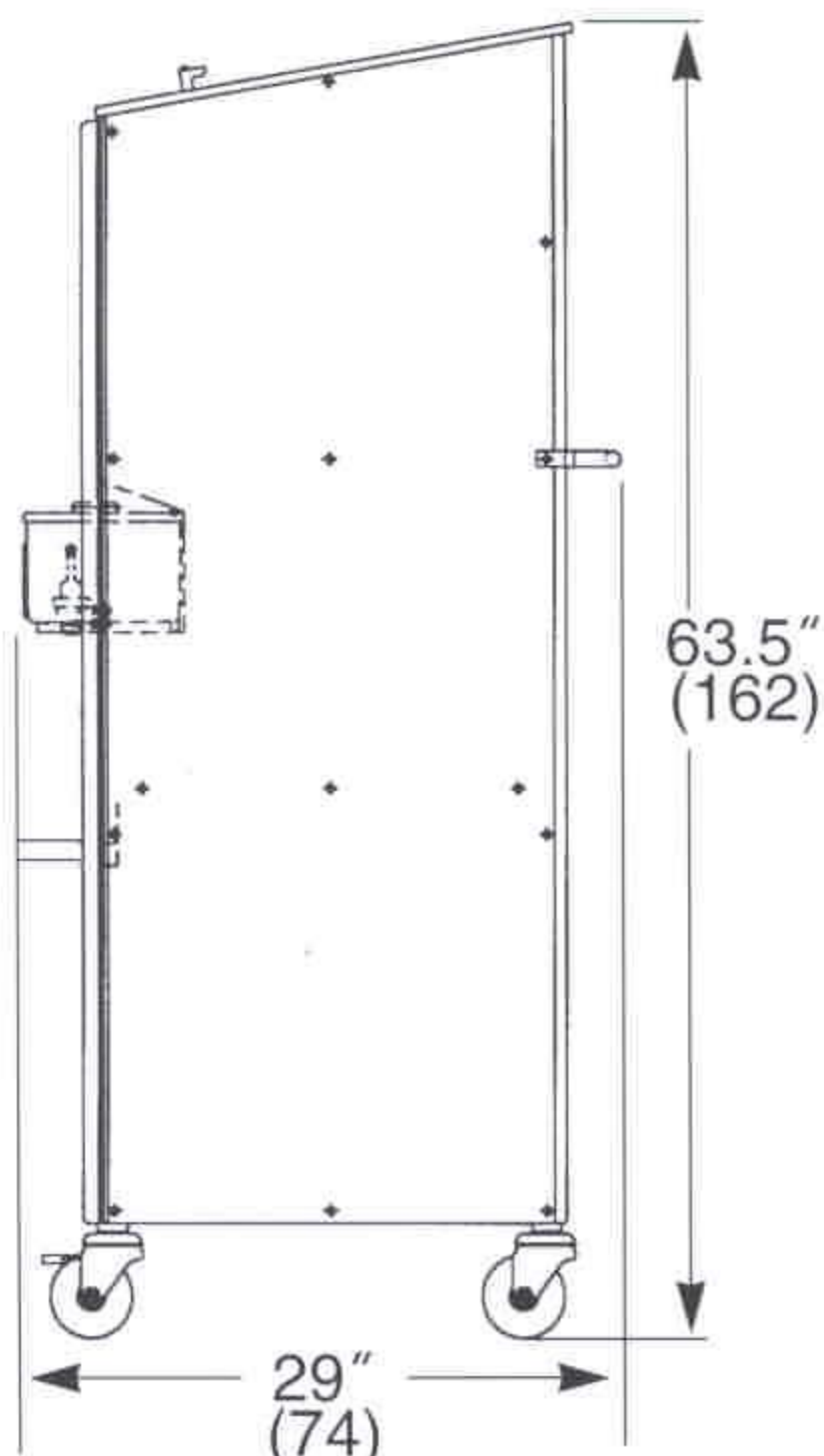
Technical Specifications

(metric shown in brackets)

Throughput	15 lbs. (6.8 kg)...4-5 minutes
Fruit Hopper Capacity	12-15 lbs. (5.4-6.8 kg)
Processing Capacity.....	48-60 quarts (45-56 liters) hour
Reservoir Capacity	5 Quarts (5 liters)
Juicer Dimensions	Height 63-1/2" (162 cm)... Width 24" (61 cm) Depth 29" (74 cm)...Weight 350 lbs. (158.7 kg)
Shipping Dimensions	Height 73" (186 cm)...Width 30" (76 cm) Depth 36" (91 cm)...Weight 375 lbs. (170 kg)
Electrical Requirements	115 Volts/60 Hz...20 amp service...single phase
Export Models	110/220 Volts...50/60 Hz...20/10 amps...single phase (Dedicated Circuit Required)
Safety Features	Completely Enclosed, Safety Interlock Switch
Finish	High Impact Flame Retardant ABS
Waste Container Holds	40 lbs. (18 kg)
Fruit Size	No restrictions (up to pineapple size)

* Not for Citrus fruit due to high peel oil content. Not for Melons due to high pH level.

- Remove stones and pits in stone fruits first.
- Kiwi, mango, pineapple, and etc. must be peeled first.

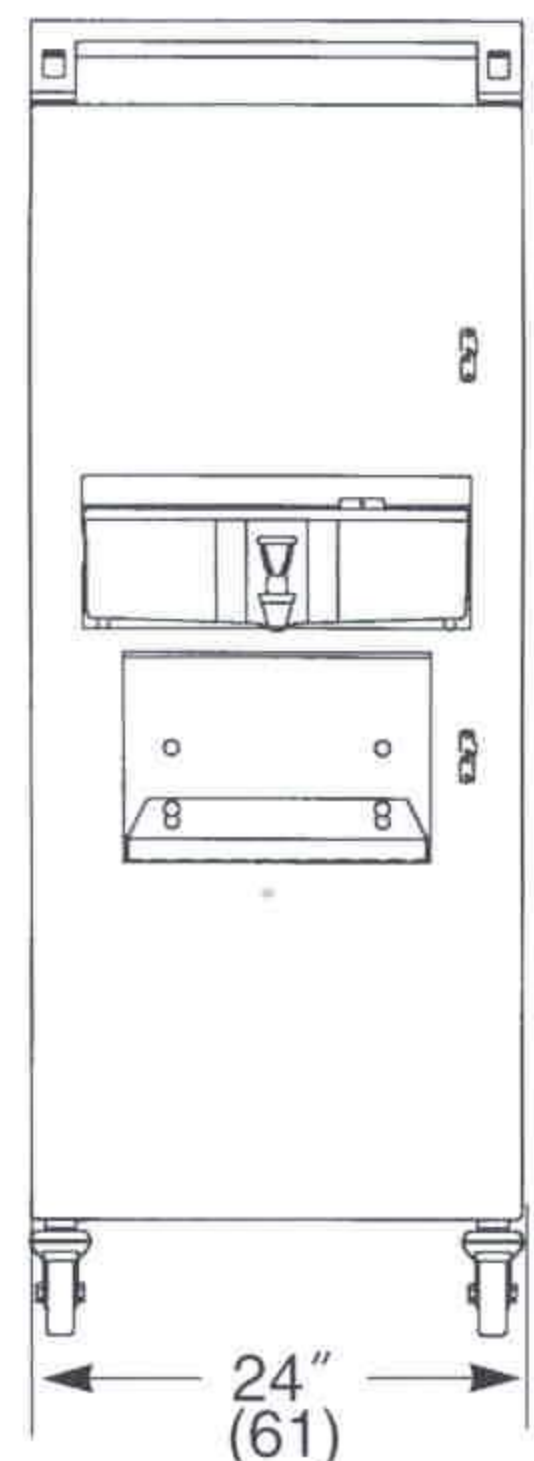


SIDE VIEW

Outside Dimensions



Mulligan Associates, Inc.
 286 Barbados Drive
 Jupiter, FL 33458
 (800) 627-2886
 (561) 745-8733
 (561) 694-0226 Fax
 sales@juicernet.com
 www.juicernet.com



FRONT VIEW

Outside Dimensions